



PhilGEPS

Philippine Government Electronic Procurement System

Central Portal for
Philippine Government
Procurement Opportunities

Bid Notice Abstract

Request for Quotation (RFQ)

Reference Number 5723967
Procuring Entity CARLOS HILADO MEMORIAL STATE COLLEGE
Title Procurement of Various Office Supplies for Various Offices of the Four (4) Campuses
Area of Delivery Negros Occidental

Solicitation Number:	RFQ 18-335	Status	Pending
Trade Agreement:	Implementing Rules and Regulations	Associated Components	1
Procurement Mode:	Shopping - Ordinary/Regular Office Supplies & Equipment (Sec. 52.1.b)	Bid Supplements	0
Classification:	Goods	Document Request List	0
Category:	Office Supplies and Devices	Date Published	18/10/2018
Approved Budget for the Contract:	PHP 141,257.62	Last Updated / Time	17/10/2018 16:49 PM
Delivery Period:	15 Day/s	Closing Date / Time	22/10/2018 10:00 AM
Client Agency:			
Contact Person:	Rowena De la Vida Prado Administrative Assistant II Mabini Street Talisay City Negros Occidental Philippines 6115 63-34-7124804 63-34-7128404 chmsc_bacsec@yahoo.com		

Description

Standard Form Number: SF-GOOD-60
Revised on May 24, 2004

Republic of the Philippines
CARLOS HILADO MEMORIAL STATE COLLEGE
Talisay City, Negros Occidental
Telefax: (034) 712-8404 / 495-3767
chmsc_bacsec@yahoo.com

REQUEST FOR QUOTATION

Date: October 11, 2018
Quotation No. 18-335

Please quote your lowest price on the item/s listed below, stating the shortest time of delivery and submit your quotation duly signed by your representative not later than _____ in the return envelope attached herewith.

ROSALINDA S. TUVILLA
BAC Chairman

NOTE: Page 1 of 5

1. ALL ENTRIES MUST BE TYPEWRITTEN
2. DELIVERY PERIOD WITHIN _____ CALENDAR DAYS
3. WARRANTY SHALL BE FOR A PERIOD OF SIX (6) MONTHS FOR SUPPLIES & MATERIALS, ONE (1) YEAR FOR EQUIPMENT,
FROM DATE OF ACCEPTANCE BY THE PROCURING ENTITY
4. PRICE VALIDITY SHALL BE FOR A PERIOD OF _____ CALENDAR DAYS
5. G-EPS REGISTRATION CERTIFICATE SHALL BE ATTACHED UPON SUBMISSION OF THE QUOTATION
BIDDERS SHALL SUBMIT ORIGINAL BROCHURES SHOWING CERTIFICATIONS OF THE PRODUCT BEING OFFERED

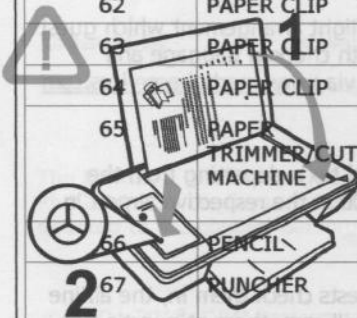
ITEM ITEM & DESCRIPTION QTY. UNIT UNIT PRICE

NO. (Pls. indicate brand offered)

- 1 BALLPEN, BALLPOINT, 0.5, Metal point, S-fine, black 24 piece
- 2 BALLPEN, BALLPOINT, 0.5, Metal point, S-fine, blue 24 piece
- 3 BALLPEN, BALLPOINT, Retractable, 0.5mm, black 60 piece
- 4 BALLPEN, BALLPOINT, Retractable, 0.5mm, blue 20 piece
- 5 BALLPEN, BALLPOINT, Retractable, 0.5mm, red 20 piece
- 6 BATTERY, AA, rechargeable Ni-MH battery (4 pcs. Per pack), Capacity: 3000mAh, Voltage: 1.2V, Dimensions: 2.5" x 0.5" x 2" (LxWxH), Weight: 2.3oz 10 pack
- 7 BATTERY, Size AAA, alkaline, 2 pieces per blister pack 9 pack
- 8 BINDER, D-TYPE, 3-ring, A4, 64mm or 2.5", with insert clear view pocket on front, back and spine for label 10 pair
- 9 BINDER, D-TYPE, 3-ring, Legal, 64mm or 2.5", with insert clear view pocket on front, back and spine for label 10 pair
- 10 BINDER, Vinyl hard board, royal blue color, Fastener Style: D Ring, Sheet Capacity: 475, Number of Fasteners: 4, Sheet Size (W x H): 11" x 17" 5 piece
- 11 BOOKEND, Powder-coated paint texture, Heavy metal/steel, non - bind, 2pcs/pack, Dimensions (H * Lg * L) : 160 * 125 * 125mm, L - shape design, assorted color, 558g 10 pack
- 12 CARTOLINA, 8.5" x 13", Pre cut, long, white 10000 piece
- 13 CARTOLINA, Assorted Colors, 20 pieces per pack 23 pack
- 14 CERTIFICATE HOLDER , Black plastic, Dark Blue, Short, size: 8.5 x 11 10 pcs
- 15 CLEARBOOK, Legal size 24 piece
- 16 CLIP, Backfold, 19mm, 12 pieces per box 22 box
- 17 CLIP, backfold, 25mm, 12 pieces per box 22 box
- 18 CLIP, backfold, 32mm, 12 pieces per box 22 box
- 19 CLIP, backfold, 50mm, 12 pieces per box 20 box
- 20 CUTTER BLADE, heavy duty cutter, 10 pieces per tube 1 tube
- 21 CUTTER KNIFE, heavy duty 5 piece
- 22 DATING AND STAMPING MACHINE 3 piece
- 23 ENVELOPE, DOCUMENTARY, for A4 size document, 500 pieces per box 1 box
- 24 ENVELOPE, MAILING, 500 pieces per box, 80 gsm 1 box
- 25 FILE ORGANIZER, expanding, legal, plastic, assorted colors 10 piece
- 26 FLASH DRIVE, 64 GB USB 3.0 / 2.0 drive ports, plug and play 3 piece
- 27 FOLDER, Fancy, A4, 50 pieces/ bundle 1 bundle
- 28 GLUE, All purpose, 500ml 10 bottle
- 29 GLUE, All purpose, 500ml, Min. 300 grams, with applicator 22 jar
- 30 GLUE, stick, Hot Melt, 10mm diameter, big, use in Glue Gun 10 piece
- 31 ILLUSTRATION BOARD, 2 ply, 30"x40" 10 pcs
- 32 INDEX TAB, Self-adhesive, 10 pcs/box 3 box
- 33 INDEX TAB, self-adhesive, 5 set/box, assorted colors 5 box
- 34 INK, Permanent Marker, Refill, black 2 bottle
- 35 INK, Stamp Pad, 50ml, violet 16 bottle
- 36 MAP PIN, Round head, 100s/box 1 box
- 37 MARKER, Permanent, Bullet type, Black 46 piece
- 38 MARKER, Permanent, Bullet type, Blue 30 piece
- 39 MARKER, Permanent, Bullet type, Red 10 piece
- 40 MARKER, Whiteboard, Bullet type, Blue 50 piece
- 41 MARKER, Whiteboard, Bullet type, Red 50 piece
- 42 NOTE PAD, stick-on, (2"x3"), 100 sheets per pad 1 pad
- 43 OFFICE DESK, HM18 Gray (1200 x 600 x 750mm) 2 unit
- 44 PAPER, Board, (vellum) Long, 200 gsm, size 8.5" x 13", 10 sheets/pack 3 pack
- 45 PAPER, Multicopy, 216mm x 279mm (8.5" x 11"), short/letter size, S20, 70 gsm 14 ream
- 46 PAPER, PARCHMENT, 216mm x 279mm (8 1/2"x11"), 85gsm 10 sheets 150 pack
- 47 PAPER, PHOTO, 210mm x 297mm (8.3" x 11.7"), A4, 10 pcs/pack, White gloss 10 pack
- 48 PAPER, STICKER, A4, 80 gsm, size 210mm x 297mm, 10 sheets/pack 3 pack
- 49 Specialty Paper, 216mm x 279mm (8-1/2" x 11"), short/letter size, 10 pack
10 sheets, 100gsm, beige
- 50 Specialty Paper, 216mm x 330mm (8-1/2" x 13"), long, 10s, beige, 100gsm 30 pack
- 51 Specialty Paper, Long, 200 gsm, size 8.5" x 13", 10 sheets/pack, blue 5 pack
- 52 Specialty Paper, Long, 200 gsm, size 8.5" x 13", 10 sheets/pack, green 5 pack
- 53 Specialty Paper, Long, 200 gsm, size 8.5" x 13", 10 sheets/pack, neon green 5 pack

8	BINDER	D-TYPE, 3-ring, A4, 64mm or 2.5", with insert clear view pocket on front, back and spine for label	10	Pair	2,640.00
9	BINDER	D-TYPE, 3-ring, Legal, 64mm or 2.5", with insert clear view pocket on front, back and spine for label	10	Pair	3,000.00
10	BINDER	Vinyl hard board, royal blue color, Fastener Style: D Ring, Sheet Capacity: 475, Number of Fasteners: 4, Sheet Size (W x H): 11" x 17"	5	Piece	1,920.00
11	BOOKEND	Powder-coated paint texture, Heavy metal/steel, non - bind, 2pcs/pack, Dimensions (H * Lg * L) : 160 * 125 * 125mm, L - shape design, assorted color, 558g	10	Pack	2,700.00
12	CARTOLINA	8.5" x 13", Pre cut, long, white	10,000	Piece	19,200.00
13	CARTOLINA	Assorted Colors, 20 pieces per pack	23	Pack	3,174.00
14	CERTIFICATE HOLDER	Black plastic, Dark Blue, Short, size: 8.5 x 11	10	Piece	1,140.00
15	CLEARBOOK	Legal size	24	Piece	1,584.00
16	CLIP	Backfold, 19mm, 12 pieces per box	22	Box	924.00
17	CLIP	backfold, 25mm, 12 pieces per box	22	Box	1,188.00
18	CLIP	backfold, 32mm, 12 pieces per box	22	Box	1,716.00
19	CLIP	backfold, 50mm, 12 pieces per box	20	Box	1,800.00
20	CUTTER BLADE	heavy duty cutter, 10 pieces per tube	1	Tube	9.89
21	CUTTER KNIFE	heavy duty	5	Piece	124.44
22	DATING AND STAMPING MACHINE	.	3	Piece	1,858.51
23	ENVELOPE	DOCUMENTARY, for A4 size document, 500 pieces per box	1	Box	508.44
24	ENVELOPE	MAILING, 500 pieces per box, 80 gsm	1	Box	599.04
25	FILE ORGANIZER	expanding, legal, plastic, assorted colors	10	Piece	1,044.20
26	FLASH DRIVE	64 GB USB 3.0 / 2.0 drive ports, plug and play	3	Piece	3,564.00
27	FOLDER	Fancy, A4, 50 pieces/ bundle	1	Bundle	294.84
28	GLUE	All purpose, 500ml	10	Bottle	900.00
29	GLUE	All purpose, 500ml, Min. 300 grams, with applicator	22	Jar	1,279.08
30	GLUE	stick, Hot Melt, 10mm diameter, big, use in Glue Gun	10	Piece	78.00
31	ILLUSTRATION BOARD	2 ply, 30"x40"	10	Piece	490.80
32	INDEX TAB	Self-adhesive, 10 pcs/box	3	Box	486.00
33	INDEX TAB	self-adhesive, 5 set/box, assorted colors	5	Box	480.00
34	INK	Permanent Marker, Refill, black	2	Bottle	180.00
35	INK	Stamp Pad, 50ml, violet	16	Bottle	672.00
36	MAP PIN	Round head, 100s/box	1	Box	38.40
37	MARKER	Permanent, Bullet type, Black	46	Piece	1,380.00
38	MARKER	Permanent, Bullet type, Blue	30	Piece	900.00

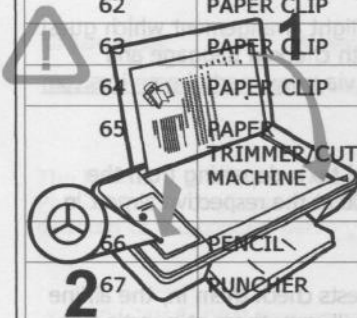
39	MARKER	Permanent, Bullet type, Red	10	Piece	300.00
40	MARKER	Whiteboard, Bullet type, Blue	50	Piece	1,680.00
41	MARKER	Whiteboard, Bullet type, Red	50	Piece	1,680.00
42	NOTE PAD	stick-on, (2"x3"), 100 sheets per pad	1	Pad	37.44
43	OFFICE DESK	HM18 Gray (1200 x 600 x 750mm)	2	Unit	6,120.00
44	PAPER	Board, (vellum) Long, 200 gsm, size 8.5" x 13", 10 sheets/pack	3	Pack	187.20
45	PAPER	Multicopy, 216mm x 279mm (8.5" x 11"), short/letter size, S20, 70 gsm	14	Ream	2,822.40
46	PAPER	PARCHMENT, 216mm x 279mm (8 1/2"x11"), 85gsm 10 sheets	150	Pack	9,900.00
47	PAPER	PHOTO, 210mm x 297mm (8.3" x 11.7"), A4, 10 pcs/pack, White gloss	10	Pack	900.00
48	PAPER	STICKER, A4, 80 gsm, size 210mm x 297mm, 10 sheets/pack	3	Pack	306.00
49	SPECIALTY PAPER	216mm x 279mm (8-1/2" x 11"), short/letter size, 10 sheets, 100gsm, beige	10	Pack	660.00
50	SPECIALTY PAPER	216mm x 330mm (8-1/2" x 13"), long, 10s, beige, 100gsm	30	Pack	2,448.00
51	SPECIALTY PAPER	Long, 200 gsm, size 8.5" x 13", 10 sheets/pack, blue	5	Pack	312.00
52	SPECIALTY PAPER	Long, 200 gsm, size 8.5" x 13", 10 sheets/pack, green	5	Pack	312.00
53	SPECIALTY PAPER	Long, 200 gsm, size 8.5" x 13", 10 sheets/pack, neon green	5	Pack	312.00
54	SPECIALTY PAPER	Long, 200 gsm, size 8.5" x 13", 10 sheets/pack, orange	5	Pack	312.00
55	SPECIALTY PAPER	Long, 200 gsm, size 8.5" x 13", 10 sheets/pack, pink	5	Pack	312.00
56	SPECIALTY PAPER	Long, 200 gsm, size 8.5" x 13", 10 sheets/pack, red	5	Pack	312.00
57	SPECIALTY PAPER	Long, 200 gsm, size 8.5" x 13", 10 sheets/pack, violet	5	Pack	312.00
58	SPECIALTY PAPER	Long, 200 gsm, size 8.5" x 13", 10 sheets/pack, yellow	5	Pack	312.00
59	STICKER PAPER	High Gloss, 10 sheets/pack, white, legal	11	Pack	1,267.20
60	STICKER PAPER	A4, 80 gsm, size 210mm x 297mm, 10 sheets/pack	5	Pack	312.00
61	BOND PAPER PINK	8 1/2 X 11, 70 gsm (ream of 500 pages)	10	Ream	3,600.00
62	PAPER CLIP	gem type, 32mm, 100 pieces per box	75	Box	765.00
63	PAPER CLIP	gem type, 48mm, 100 pieces per box	75	Box	1,530.00
64	PAPER CLIP	Backfold, 48mm	15	Box	270.00
65	PAPER TRIMMER/CUTTING MACHINE	max paper size: A4, 30 sheets cutting cap, automatic clamping, stationary blade guard, A4-A6 format	1	Unit	10,859.94
66	PENCIL	lead, w/eraser, One (1) dozen per box	22	Box	1,742.40
67	PUNCHER	paper, heavy duty, with two hole guide, 1 piece in individual box	6	Piece	968.48



• For better print quality, place this page on the glass, and then press a copy button.
 • Pour une mieux impression, posez la page sur la vitre et appuyez sur un bouton de copie.
 • Für höhere Druckqualität diese Seite auf das Glas legen und dann eine Kopieren-Taste drücken.
 • Para mayor calidad de impresión, coloque esta página sobre el cristal y pulse el botón copiar.
 • Per una qualità migliore, posizionare questa pagina sul vetro e premere il pulsante di copia.
 • Para melhor qualidade de impressão, ponha esta página sobre o vidro e pressione um botão de copiar.
 • 为获得更好的打印质量, 请将此页置于玻璃上, 然后按复印按钮。
 • 더 나은 인쇄 품질을 위해 이 페이지를 유리 위에 놓고 복사 버튼을 누릅니다.
 • 為達到更完美的印刷品質, 請將此文件放置在玻璃上, 然後按下影印鈕。

Check-in bag must not exceed 30kg per piece in accordance with the occupational safety rules to avoid injury to porters. To promote swift check-in, kindly ensure that your check-in bag is well within the 30kg weight limit. Otherwise, guests will be booked for more than the scheduled time of check-in.

39	MARKER	Permanent, Bullet type, Red	10	Piece	300.00
40	MARKER	Whiteboard, Bullet type, Blue	50	Piece	1,680.00
41	MARKER	Whiteboard, Bullet type, Red	50	Piece	1,680.00
42	NOTE PAD	stick-on, (2"x3"), 100 sheets per pad	1	Pad	37.44
43	OFFICE DESK	HM18 Gray (1200 x 600 x 750mm)	2	Unit	6,120.00
44	PAPER	Board, (vellum) Long, 200 gsm, size 8.5" x 13", 10 sheets/pack	3	Pack	187.20
45	PAPER	Multicopy, 216mm x 279mm (8.5" x 11"), short/letter size, S20, 70 gsm	14	Ream	2,822.40
46	PAPER	PARCHMENT, 216mm x 279mm (8 1/2"x11"), 85gsm 10 sheets	150	Pack	9,900.00
47	PAPER	PHOTO, 210mm x 297mm (8.3" x 11.7"),A4, 10 pcs/pack, White gloss	10	Pack	900.00
48	PAPER	STICKER, A4, 80 gsm, size 210mm x 297mm, 10 sheets/pack	3	Pack	306.00
49	SPECIALTY PAPER	216mm x 279mm (8-1/2" x 11"), short/letter size, 10 sheets, 100gsm, beige	10	Pack	660.00
50	SPECIALTY PAPER	216mm x 330mm (8-1/2" x 13"), long, 10s, beige, 100gsm	30	Pack	2,448.00
51	SPECIALTY PAPER	Long, 200 gsm, size 8.5" x 13", 10 sheets/pack, blue	5	Pack	312.00
52	SPECIALTY PAPER	Long, 200 gsm, size 8.5" x 13", 10 sheets/pack, green	5	Pack	312.00
53	SPECIALTY PAPER	Long, 200 gsm, size 8.5" x 13", 10 sheets/pack, neon green	5	Pack	312.00
54	SPECIALTY PAPER	Long, 200 gsm, size 8.5" x 13", 10 sheets/pack, orange	5	Pack	312.00
55	SPECIALTY PAPER	Long, 200 gsm, size 8.5" x 13", 10 sheets/pack, pink	5	Pack	312.00
56	SPECIALTY PAPER	Long, 200 gsm, size 8.5" x 13", 10 sheets/pack, red	5	Pack	312.00
57	SPECIALTY PAPER	Long, 200 gsm, size 8.5" x 13", 10 sheets/pack, violet	5	Pack	312.00
58	SPECIALTY PAPER	Long, 200 gsm, size 8.5" x 13", 10 sheets/pack, yellow	5	Pack	312.00
59	STICKER PAPER	High Gloss, 10 sheets/pack, white, legal	11	Pack	1,267.20
60	STICKER PAPER	A4, 80 gsm, size 210mm x 297mm, 10 sheets/pack	5	Pack	312.00
61	BOND PAPER PINK	8 1/2 X 11, 70 gsm (ream of 500 pages)	10	Ream	3,600.00
62	PAPER CLIP	gem type, 32mm, 100 pieces per box	75	Box	765.00
63	PAPER CLIP	gem type, 48mm, 100 pieces per box	75	Box	1,530.00
64	PAPER CLIP	Backfold, 48mm	15	Box	270.00
65	PAPER TRIMMER/CUTTING MACHINE	For major brands of impression, coloque esta página sobre el cristal y pulse el botón copiar. Para una qualità migliore, posizionare questa pagina sul vetro e premere il pulsante di copia. Para melhor qualidade de impressão, ponha esta página sobre o vidro e pressione um botão de copiar. 为获得更好的打印质量, 请将此页置于玻璃上, 然后按复印按钮。 더 나은 인쇄 품질을 위해 이 페이지를 유리 위에 놓고 복사 버튼을 누릅니다. 為達到更完美的印刷品質, 請將此文件放置在玻璃上, 然後按下影印鈕。	1	Unit	10,859.94
66	PENCIL	lead, w/eraser, One (1) dozen per box	22	Box	1,742.40
67	PUNCHER	paper, heavy duty, with two hole guide, 1 piece in individual box	6	Piece	968.48



Check-in bag must not exceed 30kg per piece in accordance with the occupational safety rules to avoid injury to porters. To promote swift check-in, kindly ensure that your check-in bag is well within the 30kg weight limit. Otherwise, guests will be booked for more luggage.

68	RECORD BOOK	300 pages, size: 214mm x 278mm min	26	Book	2,076.29
69	RECORD BOOK	500 pages, size: 214mm x 278mm min	5	Book	547.15
70	RING BINDER	1" x 44", plastic, 80 rings, assorted colors, 10 pcs per bundle	3	Piece	342.00
71	RING BINDER	1/2" x 44", plastic, 80 rings, assorted colors, 10 pcs per bundle	3	Piece	136.80
72	RING BINDER	1/4" x 44", plastic, 80 rings, assorted colors, 10 pcs per bundle	33	Piece	1,386.00
73	RING BINDER	Plastic 32mm, 10 pieces per bundle	1	Bundle	350.63
74	RUBBER BAND	70mm min lay flat length (#18)	7	Box	1,386.00
75	RULER	plastic, 450mm, 1 piece in individual plastic	7	Piece	270.58
76	RULER	Steel, 12 inches	2	Piece	288.00
77	SCISSORS	6", steel, with black rubber handle	18	Pair	939.20
78	SCOURING PAD	5 pieces per pack	5	Pack	803.70
79	SIGN PEN	Liquid Gel, Black	124	Piece	6,178.60
80	SIGN PEN	Liquid Gel, Blue	50	Piece	2,772.50
81	SIGN PEN	Liquid Gel, red	50	Piece	2,772.50
82	STAMP PAD	Felt Pad, min 60mm x 100mm	6	Piece	486.80
83	STAPLE REMOVER	plier type	6	Piece	174.06
84	STAPLE WIRE	#10, 12's/box	5	Box	540.00
85	STAPLE WIRE	Standard, #35, 5000pcs/box	61	Box	1,841.52
86	STAPLER	Binder type, heavy duty for high volume stapling, 25- 153 sheets of 70gsm bond paper stapling capacity, min 100 staples, with adjustable stapler guide	1	Piece	1,446.57
87	STAPLER	standard	4	Piece	683.89
88	TAPE	Double-sided, 24mm width, usable length of 5 meters	10	Roll	264.00
89	TAPE	Double-sided, 48mm width, usable length of 5 meters	12	Roll	691.20
90	TAPE DISPENSER	Handheld, for 48mm width packaging tape	2	Piece	300.00
91	WALL CLOCK	8" 3D clock -Silver	2	Piece	1,392.00
92	FASTENER	for paper, metal, 50 sets per box	1	Box	71.93
93	FASTENER	Plastic-coated, for paper, multi-colored, approx. 7-8cm, 50 sets/box	3	Box	104.40

Created by Rowena De la Vida Prado

Date Created 16/10/2018

The PhilGEPS team is not responsible for any typographical errors or misinformation presented in the system. PhilGEPS only displays information provided for by its clients, and any queries regarding the postings should be directed to the contact person/s of the concerned party.

68	RECORD BOOK	300 pages, size: 214mm x 278mm min	26	Book	2,076.29
69	RECORD BOOK	500 pages, size: 214mm x 278mm min	5	Book	547.15
70	RING BINDER	1" x 44", plastic, 80 rings, assorted colors, 10 pcs per bundle	3	Piece	342.00
71	RING BINDER	1/2" x 44", plastic, 80 rings, assorted colors, 10 pcs per bundle	3	Piece	136.80
72	RING BINDER	1/4" x 44", plastic, 80 rings, assorted colors, 10 pcs per bundle	33	Piece	1,386.00
73	RING BINDER	Plastic 32mm, 10 pieces per bundle	1	Bundle	350.63
74	RUBBER BAND	70mm min lay flat length (#18)	7	Box	1,386.00
75	RULER	plastic, 450mm, 1 piece in individual plastic	7	Piece	270.58
76	RULER	Steel, 12 inches	2	Piece	288.00
77	SCISSORS	6", steel, with black rubber handle	18	Pair	939.20
78	SCOURING PAD	5 pieces per pack	5	Pack	803.70
79	SIGN PEN	Liquid Gel, Black	124	Piece	6,178.60
80	SIGN PEN	Liquid Gel, Blue	50	Piece	2,772.50
81	SIGN PEN	Liquid Gel, red	50	Piece	2,772.50
82	STAMP PAD	Felt Pad, min 60mm x 100mm	6	Piece	486.80
83	STAPLE REMOVER	plier type	6	Piece	174.06
84	STAPLE WIRE	#10, 12's/box	5	Box	540.00
85	STAPLE WIRE	Standard, #35, 5000pcs/box	61	Box	1,841.52
86	STAPLER	Binder type, heavy duty for high volume stapling, 25- 153 sheets of 70gsm bond paper stapling capacity, min 100 staples, with adjustable stapler guide	1	Piece	1,446.57
87	STAPLER	standard	4	Piece	683.89
88	TAPE	Double-sided, 24mm width, usable length of 5 meters	10	Roll	264.00
89	TAPE	Double-sided, 48mm width, usable length of 5 meters	12	Roll	691.20
90	TAPE DISPENSER	Handheld, for 48mm width packaging tape	2	Piece	300.00
91	WALL CLOCK	8" 3D clock -Silver	2	Piece	1,392.00
92	FASTENER	for paper, metal, 50 sets per box	1	Box	71.93
93	FASTENER	Plastic-coated, for paper, multi-colored, approx. 7-8cm, 50 sets/box	3	Box	104.40

Created by Rowena De la Vida Prado

Date Created 16/10/2018

The PhilGEPS team is not responsible for any typographical errors or misinformation presented in the system. PhilGEPS only displays information provided for by its clients, and any queries regarding the postings should be directed to the contact person/s of the concerned party.